



Floor spring

# DORMA **BTS 65**

## The economic floor spring specially designed for double action doors

**Special shallow design**  
**Optional hold-open**  
 Successfully tailored to satisfy the special requirements governing floor springs for double action doors, the DORMA BTS 65 also offers a particularly shallow design and thus all the advantages of a reduced installation depth. With two closing ranges and a choice

of models, the BTS 65 can fulfil virtually any application requirement while providing all the reliability associated with assured quality from DORMA.



Quality assured manufacture to DIN ISO 9001, EN 29001, BS 5750. Certified and verified by BSI Quality Assurance Reg.-No. Q 6423, FM 10756

### Benefits

#### For the trade

- Outstanding value for money.
- Wide range of accessories to accommodate various installation situations.

#### For the installer

- Easy installation thanks to shallow design.
- Easy to adapt to individual requirements with dual valve control 130° to 0° and 130° to 20°.
- Interchangeable spindle inserts available to suit site conditions.

#### For the architect/specifier

- Minimum floor recess dimension.
- Rugged construction for door weights up to 100 kg.
- DORMA quality.

#### For the user

- Smooth closing operation virtually temperature-immune.
- Low effort requirement ensures easy door operation.
- Optional integrated single-point hold-open at 90°.

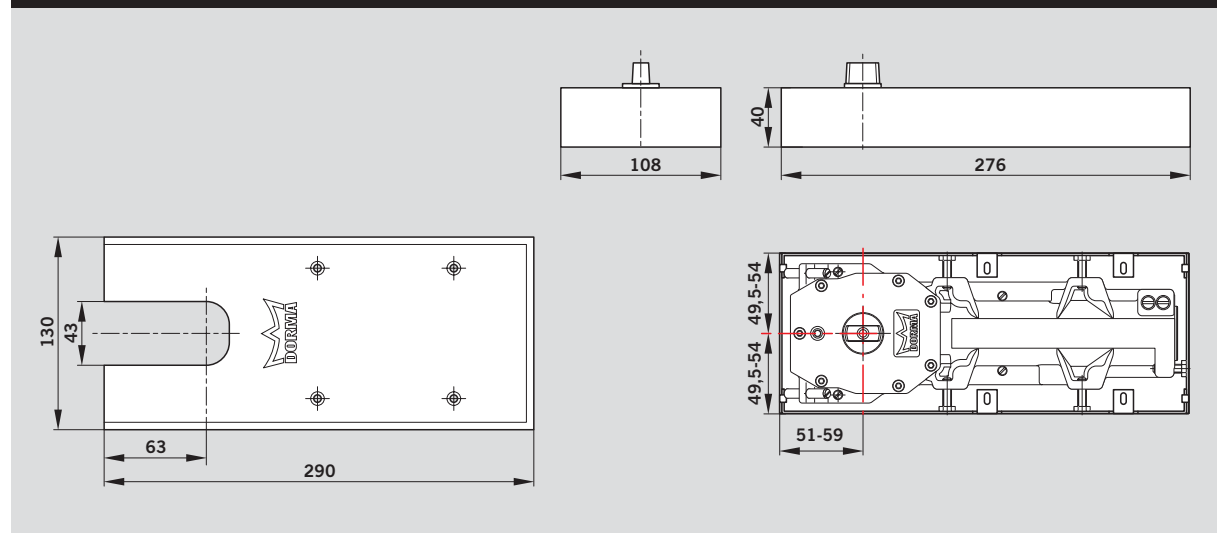
Technical Data		BTS 65	
Spring strength	Size	EN 3	EN 4
Standard and <sup>1)</sup>	≤ 950 mm	●	–
external doors <sup>1) 2)</sup>	≤ 1100 mm	–	●
Max. door weight in kg		100	100
Closing speed variable by valve adjustment		●	●
Backcheck		–	–
Delayed action		–	–
Hold-open point 90°		○	○
Weight in kg, approx.		4,0	4,0
Dimensions in mm	Length	276	276
	Width	108	108
	Height	40	40
Door closer tested to EN 1154		●	●

● Yes – No ○ Option

<sup>1)</sup> For applications involving particularly high or heavy doors, and doors which have to close against wind or draught conditions, the next larger closer size or the DORMA BTS 80 should be selected.

<sup>2)</sup> Max. opening 130°. Door stop necessary for doors which can open further than 130°. (e.g. OGRO TZ 5000).

### Measurements



### Standard and optional functions

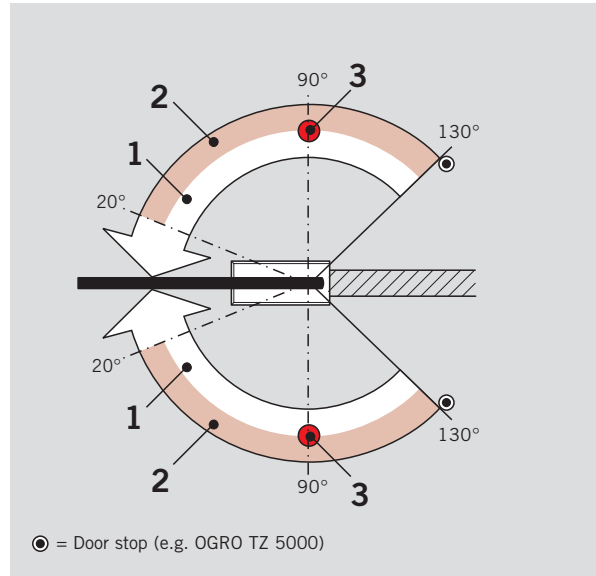
#### Closing ranges

The floor spring has two controlled closing ranges:  
 Valve 1: 130° – 0° sweep  
 Valve 2: Increases the closing speed between 130° and 20°.

- 1 Infinitely variable closing speed in the range 130° – 0°.
- 2 Second closing range 130° – 20°.
- 3 Hold open at 90° (optional extra).

#### Hold-open

With optional integrated single-point hold-open at 90°.

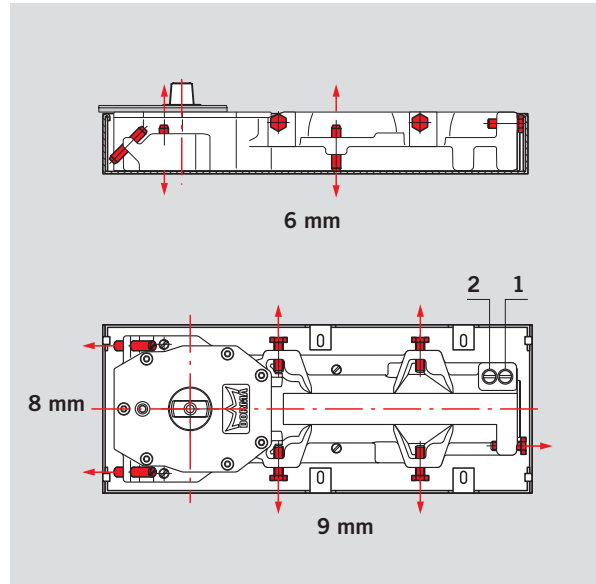


### Applications and installation

The practical clamp fixing system of the DORMA BTS 65 ensures a secure and high-precision fit in the cement box.

The adjustment range in the cement box is as follows:  
 Transverse 9 mm  
 Longitudinal 8 mm  
 Vertical 6 mm

- 1 Valve for 130° – 0° closing speed adjustment
- 2 Valve for increasing the 130° – 20° closing speed



### Accessories

#### Applications and fixing instructions, door straps and top centres

See Technical Information "Floor spring accessories DORMA BTS".

#### DORMA 2300 Sealing Compound

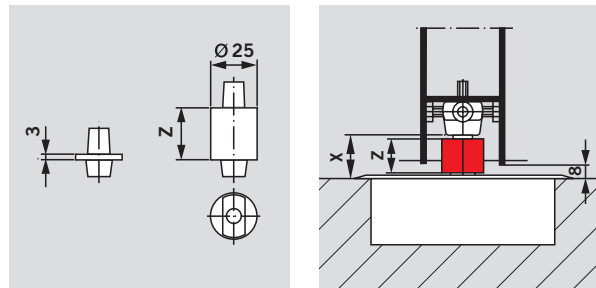
For filling the cavities between the floor spring body and the cement box to prevent moisture penetration (mandatory according to e.g. VOB regulations for wet rooms).

#### Spindle inserts

The floor clearance can be adjusted as required by simply replacing the insertion spindle with another size. Special spindle designs available on request – e.g. wide flats with 3° offset, square and spindle inserts for non-DORMA-specific accessories.

#### Universal cover plate

Available in stainless steel or satin brass.



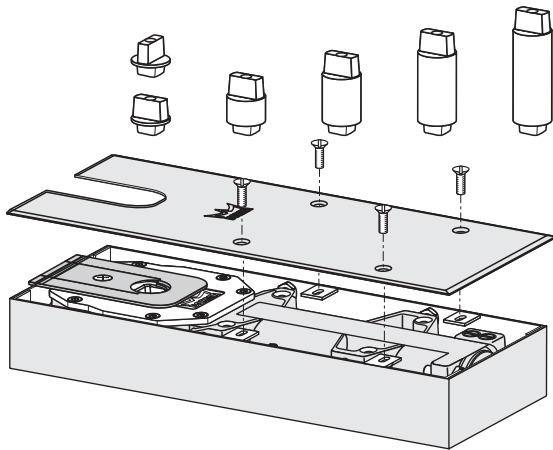
Calculating the necessary length of spindle extension:  
 Extension = X – Floor clearance (normally 8 mm)

Collar height Z of the extended spindle inserts = Spindle extension length + 3 mm (collar height of the standard spindle insert)

## Options and accessories

Floor spring BTS 65 including cement box and standard spindle insert, not pre-assembled	Floor spring BTS 65 including cement box and without spindle insert	Normal 45200401	Extended spindle inserts (extension in mm)													Universal cover plate		Sealing compound 2300  0,5 kg 45090059
			5 45200402	7,5 45200403	10 45200404	12,5 45200419	15 45200405	20 45200406	25 45200407	28 45200414	30 45200408	35 45200409	40 45200410	45 45200411	50 45200412	Stainless steel  46700086	Satin brass  46700186	
<b>Standard</b>																		
EN 3 25030101	EN 3 25030100	#	#	#	#	#	#	#	#	#	#	#	#	#	#	#	#	#
EN 4 25040101	EN 4 25040100	#	#	#	#	#	#	#	#	#	#	#	#	#	#	#	#	#
<b>with hold-open 90°</b>																		
EN 3 25130101	EN 3 25130100	#	#	#	#	#	#	#	#	#	#	#	#	#	#	#	#	#
EN 4 25140101	EN 4 25140100	#	#	#	#	#	#	#	#	#	#	#	#	#	#	#	#	#

# = Accessory



## Specification text

Floor spring for double action doors, with hydraulic fully controlled closing from approx. 130°; including cement box and removeable spindle insert.

## Size

- EN 3
- EN 4

**Make:** DORMA BTS 65

 BTS65

## Models

- Standard
- Hold-open 90°

## Accessories

- Universal cover plate
  - Stainless steel
  - Satin brass
- Extended spindle insert, . . . mm extended
- Sealing compound

**DORMA GmbH + Co. KG**  
Division Door Control  
[www.dorma.com](http://www.dorma.com)

**Australia**

DORMA Door Controls Pty. Ltd.  
P.O. Box 1092  
Narre Warren Vic 3805  
52 Abbott Road  
Hallam/Victoria 3803  
Australia  
Phone: +61 3/97 96 3555  
Fax: +61 3/97 96 3955

**Central Europe**

DORMA GmbH + Co. KG  
Postfach 40 09  
D-58247 Ennepetal  
Phone: +49 23 33/7 93-0  
Fax: +49 23 33/79 34 95

**Emerging Markets**

DORMA GmbH + Co. KG  
Postfach 40 09  
D-58247 Ennepetal  
Phone: +49 23 33/7 93-0  
Fax: +49 23 33/79 34 95

**Far East**

DORMA Door Controls Pte. Ltd.  
No. 2 Jalan Terusan  
Jurong  
Singapore 619285  
Phone: +65 62 68/76 33  
Fax: +65 62 65/79 95

**DORMA Door Controls Pte. Ltd.**

Room 701, Technology Plaza  
651 King's Road  
North Point  
Hong Kong  
Phone: +825/250 346 32  
Fax: +825/288 753 70

**France**

DORMA France S.A.R.L.  
Silic 536  
30/32, Rue du Morvan  
F-94633 Rungis-Cedex  
Phone: +33 1/45 12 08 08  
Fax: +33 1/45 12 08 18

**Gulf**

DORMA Gulf Door Controls FZE  
Jebel Ali Free Zone  
Roundabout 8  
Unit VC 02, P.O. Box 17268  
Jebel Ali  
Dubai, United Arab Emirates  
Phone: +971 48/83 90 14  
Fax: +971 48/83 90 15

**DORMA Group North America**

DORMA Door Controls  
DORMA Drive  
Reamstown, Pa. 17567, U.S.A.  
Phone: +1 717/3 36 38 81  
Fax: +1 717/3 36 21 06

**ScanBalt**

DORMA Danmark A/S  
Sindalvej 6 - 8  
DK-2610 Rødovre  
Phone: +45 44/94 30 77  
Fax: +45 44/94 95 04

**South Africa**

DORMA Door Controls (Pty.) Ltd.  
Kings Court  
4A Mineral Crescent  
ZA-2000 Crown/Gauteng  
Johannesburg  
Phone: +27 11/8 30 02 80  
Fax: +27 11/8 30 02 91

**South America**

DORMA Sistemas de Controles  
para Portas Ltda.  
Av. Piracema, 1400  
Centro Empresarial Tambore  
CEP 06400 Barueri/  
São Paulo, Brasil  
Phone: +55 11/41 91 22 38  
Fax: +55 11/41 91 22 83

**South-East Europe**

DORMA AUSTRIA GmbH  
Pebering Strass 22  
A-5301 Eugendorf  
Phone: +43 62 25/2 84 88  
Fax: +43 62 25/2 84 91

**South Europe**

DORMA Italiana S.r.l.  
Via. A. Canova 44/46  
I-20035 Lissone (MI)  
Phone: +39 039/24 40 31  
Fax: +39 039/24 40 33 10

**DORMA Ibérica, S.A.**

Camino San Martín de la Vega, 4  
E-28500 Arganda del Rey  
(Madrid)  
Phone: +34 91/8 75 78 50  
Fax: +34 91/8 75 78 81

**UK/Ireland**

DORMA Door Controls Ltd.  
DORMA Trading Park  
Staffa Road  
GB-London E10 7QX  
Phone: +44 208/5 58 84 11  
Fax: +44 208/5 58 61 22

