



Door Closer

DORMA TS 72

The ideal solution for doors up to 1100 mm wide – tested and approved to EN 1154

The DORMA TS 72 is the ideal multi-purpose door closer for all standard door designs and constructions. Without a backplate, it is particularly easy and quick to fix.

The spring strength can be individually adapted to the door size by means of an adjusting screw.

Certified to ISO 9001

Benefits

For the trade

- Just one model for all standard doors.
- Increased stocking flexibility thanks to use of the standard ClassicLine series arm.

For the installer/fabricator

- Non-handed design.
- Closing force, closing speed and latching action adjustable in just a few movements.

For the architect/specifier

- Outstanding value for money.
- Compact construction combined with timeless design.

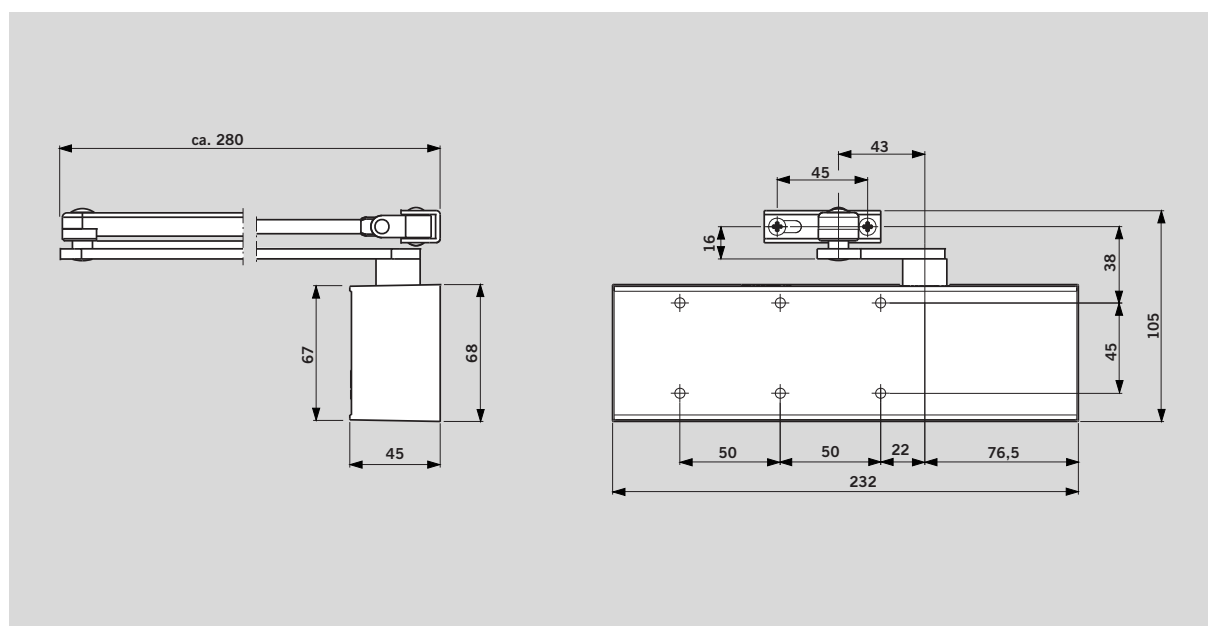
For the user

- Constant closing action virtually unaffected by temperature fluctuations.
- Optimum closing speed adjustment with two regulating valves.
- Reliable closing with adjustable latching action.

Data and features		TS 72
Spring strength adjustable	Size	EN 2 – 4
Standard doors	≤ 1100 mm ¹⁾	●
External doors, outward opening		–
Fire doors		●
Non-handed		●
Arm type	Standard	●
	Slide channel	–
Closing speed adjustable at 2 separate valves	180° – 15°	●
	15° – 0°	
Latching action adjustable (by arm)		●
Backcheck		–
Delayed action		–
Hold-open		○
Weight in kg		1.2
Dimensions in mm	Length	232
	Overall depth	45
	Height	68
Door closer tested and approved to EN 1154		●
CE mark for building products		●

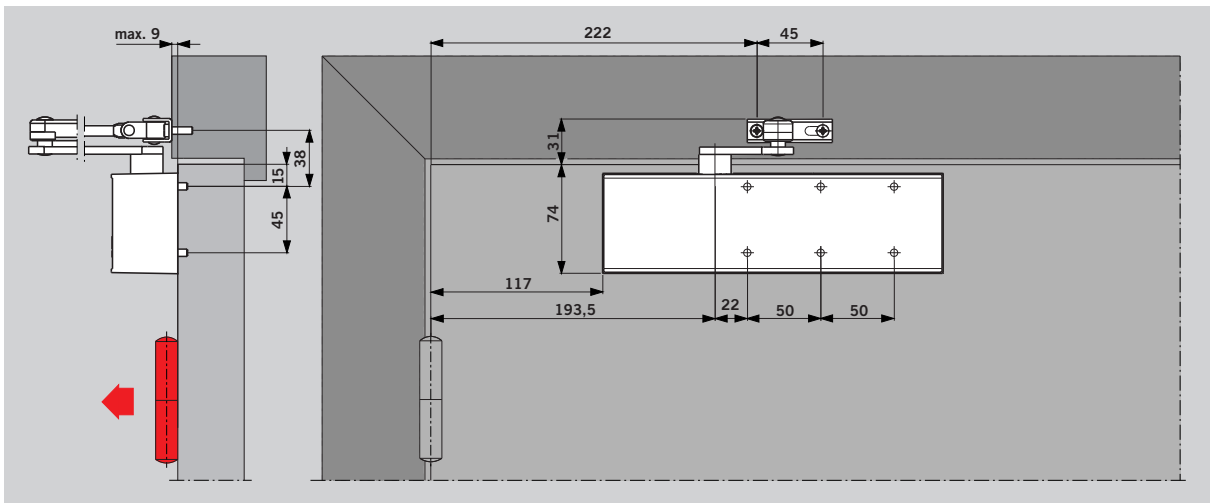
● Yes – No ○ Option

¹⁾ With parallel-arm fixing, the closing force is approx. 20 Nm (for doors up to 950 mm)



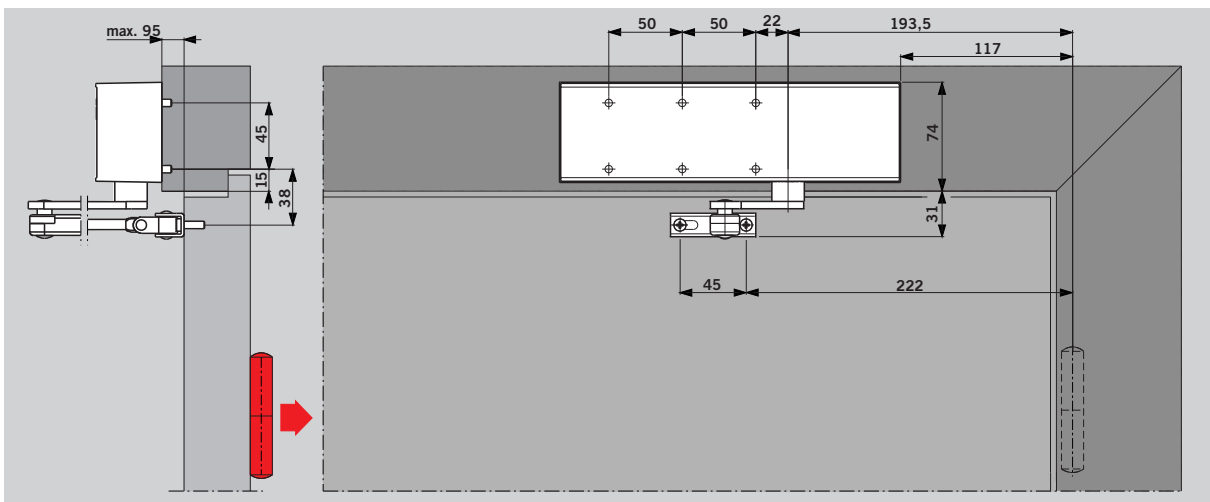
Door leaf fixing, pull side

(Example refers to left-hand [ISO 6] door; mirror image applies to right-hand [ISO 5] door)



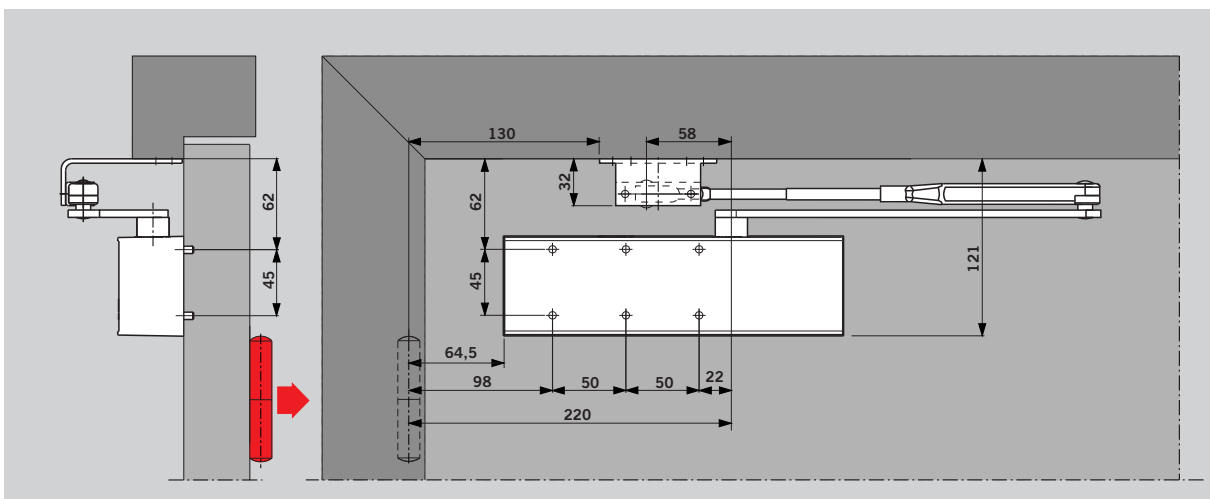
Transom fixing (overhead frame installation), push side

(Example refers to left-hand [ISO 6] door; mirror image applies to right-hand [ISO 5] door)



Parallel-arm fixing, push side

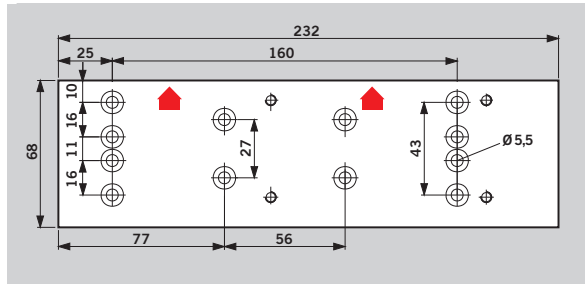
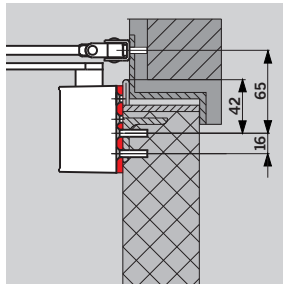
(Example refers to left-hand [ISO 6] door; mirror image applies to right-hand [ISO 5] door). Parallel-arm bracket (accessory) necessary



With this fixing method, the closing force is approx. 20 Nm (for doors up to 950 mm)

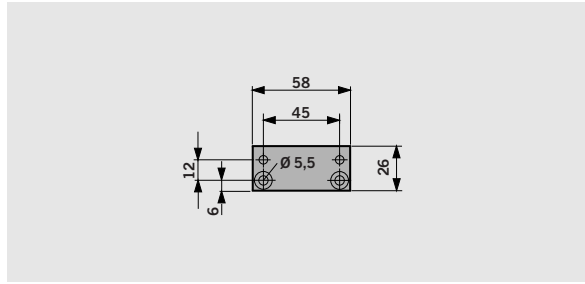
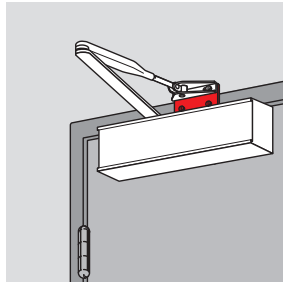
Mounting backplate

For fixing to doors on which the closer cannot be directly installed. Drilled hole pattern as per EN 1154, Supplement 1.



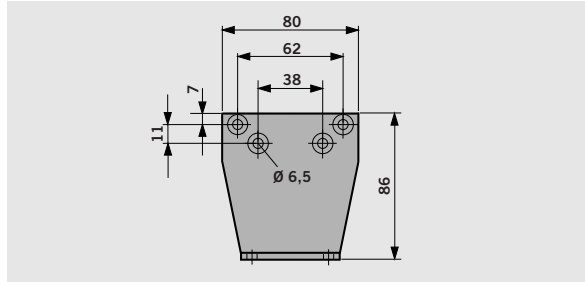
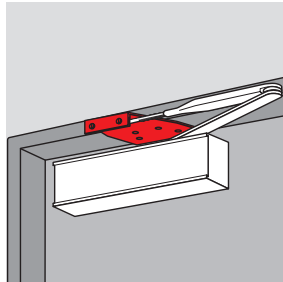
Upstand hinge bracket

For fixing the arm to particularly narrow door frames.



Fixing bracket

For the parallel-arm configuration.



Standard equipment and accessories					
Closer body TS 72 	Standard arm □ 220023xx	Hold-open arm □ 220025xx	Mounting backplate 220021xx	Hinge plate 830014xx	Parallel-arm bracket 280066xx
Size EN 2 – 4 222321xx ■			#	#	#

Order No.:

- = Closer separate
- = Arm assembly separate
- # = Accessory

Colour	xx
Silver	01
White (sim. to RAL 9016)	11
Special colour	09

Specification text

Rack-and-pinion door closer with adjustable closing force, size EN 2 – 4, closing speed adjustable in two independent ranges, with adjustable latching action. Non-handed. Tested and approved to EN 1154.

- Model**
- with standard arm
 - with hold-open arm
- Accessories**
- Mounting backplate
 - Upstand hinge plate
 - Fixing bracket for parallel-arm assembly

- Colour**
- Silver
 - Dark brown
 - White (sim. to RAL 9010)
 - White (sim. to RAL 9016)
 - Special colour _____ (sim. to RAL _____)

Make DORMA TS 72

Standard and optional functions

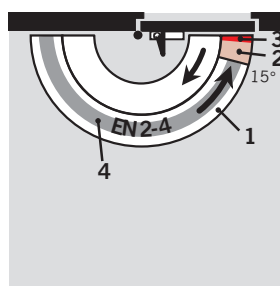
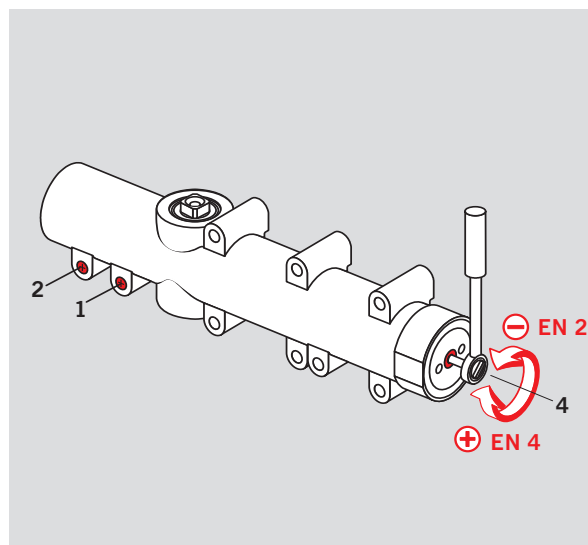
The **closing speed** of the DORMA TS 72 is variable in two independent ranges by separate valves.

In addition, the **latching action** can be adjusted at the closer arm.

The **closing force (size) setting** for the door width concerned is variable at the adjustment screw located at the end face of the TS 72 closer body.

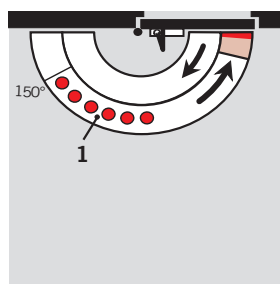
Closing force settings

Door width	Setting
≤ 850	EN 2
≤ 950	EN 3
≤ 1100	EN 4

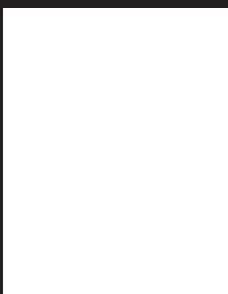


- 1 Closing speed adjustable in the range 180° – 15°.
- 2 Closing speed adjustable in the range 15° – 0°.
- 3 Latching action (variable at arm).
- 4 Adjustable closing force.

If the DORMA TS 72 is installed with a **hold-open arm**, the doors can be held open at any desired point (up to approx. 150°).



- 1 Hold-open range



www.dorma.com

Door Control Division worldwide

Central Europe

DORMA GmbH + Co. KG
DORMA Platz 1
D-58256 Ennepetal
Tel. +49 2333 793-0
Fax +49 2333 793-495

Australasia

DORMA Door Controls Pty. Ltd.
46-52, Abbott Road
Hallam/Victoria 3803
Australia
Tel. +61 3979 63555
Fax +61 3979 63955

China/Hong Kong

DORMA Door Controls
(Suzhou) Co. Ltd.
No. 9, Hong Feng Road
Suzhou Singapore Industrial Park
Suzhou, 215021
P.R. of China
Tel. +86 512 67612481
Fax +86 512 67614582

DORMA Door Controls Pte. Ltd.
Room 701, Technology Plaza
651 King's Road
North Point
Hong Kong
Tel. +852 25034632
Fax +852 28875370

Emerging Markets

DORMA GmbH + Co. KG
Breckerfelder Str. 42-48
D-58256 Ennepetal
Tel. +49 2333 793-0
Fax +49 2333 793-495

DORMA Door Controls (Pty.) Ltd.

Kings Court
4A Mineral Crescent
ZA-2000 Crown/Gauteng
South Africa
Tel. +27 11 8300280
Fax +27 11 8300291

Far East

DORMA Far East Pte. Ltd.
No. 31 Gul Lane
Singapore 629425
Tel. +65 6268 7633
Fax +65 6265 7995

France

DORMA France S.A.S.
Europarc
42, rue Eugène Dupuis
F-94046 Créteil
Tel. +33 1 41942400
Fax +33 1 41942401

Gulf

DORMA Gulf Door Controls FZE
Jebel Ali Free Zone South
Plot No. S 20135
Road No. SW 301 G
P.O. Box 17268
Dubai – United Arab Emirates
Tel. +971 4 8020400
Fax +971 4 8869100/8869101

North America

DORMA Architectural Hardware
DORMA Drive, Drawer AC
Reamstown, PA 17567-0411
Tel. +1 800 5238483
Fax +1 800 2749724

Scanbalt

DORMA Sverige AB
F O Petersons Gata 24
SE-421 31 Västra Frölunda
Tel. +46 31 289520
Fax +46 31 281739

South America

DORMA Sistemas de Controles
para Portas Ltda.
Av. Piracema, 1400
Centro Empresarial Tambore
CEP 06400-933 Barueri/
São Paulo, Brasil
Tel. +55 11 46899280
Fax +55 11 46899215

South-East Europe

DORMA AUSTRIA GmbH
Pebering Strass 22
A-5301 Eugendorf
Tel. +43 6225 284880
Fax +43 6225 28491

South Europe

DORMA Italiana S.r.l.
Via. Canova 44/46
I-20035 Lissone (MI)
Tel. +39 039 244031
Fax +39 039 24403310
DORMA Ibérica, S.A.
Camino San Martin de la Vega, 4
E-28500 Arganda del Rey
(Madrid)
Tel. +34 91 8757850
Fax +34 91 8757881

UK/Ireland

DORMA UK Ltd.
Wilbury Way
Hitchin
GB-Hertfordshire SG4 0AB
Great Britain
Tel. +44 1462 477600
Fax +44 1462 477601



Door Control



Automatic



Glass Fittings
and Accessories



Security/Time
and Access (STA)



Movable Walls

