



Cam-action
door closer

DORMA TS 97

in Contur Design



reddot design award
winner 2005

A perfect combination of form and function

With its new model TS 97, DORMA is able to offer the smallest surface-mounted cam-action door closer available in the project sector. Single-piece face plates with internal end caps and uniform lengths of the door closer body and slide channel characterise the impressive design credentials of this product.

Like all DORMA cam-action door closers, the TS 97 features the proven heart-shaped cam for maximum user convenience based on minimum opening effort. With its compact dimensions, the TS 97 ideally complements the overall appearance of any door.

Certified to ISO 9001.

Benefits

For the trade

- One closer model for all applications to simplify materials management and stocking.
- Single pack for easy .

For the installer/fabricator

- Universally applicable on both LH and RH doors.
- Quick and easy to fix with mounting bracket

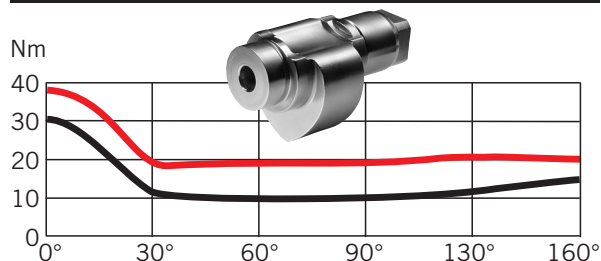
For the architect/specifier

- High-quality architectural solution for superior interior designs
- Uniform lengths of body and slide channel for enhanced harmony of appearance.
- Single-piece faceplate without slots or fixing points.

For the user

- Maximum ease of use and fully controlled, reliable closing with adjustable latching action.
- Dead stop unit as standard to protect the wall and door.

Force profiles



Data and features		TS 97
Closing force adjustable	Size	EN 2 – 4
Standard doors ¹⁾	up to 1100 mm	●
External doors, outward opening ¹⁾		-
Fire and smoke check doors		●
Non-handed		●
Arm assembly	Slide channel	●
Closing speed adjustment by valve		●
Latching action adjustment by valve		●
Dead stop unit (mechanical)		●
Delayed action		-
Backcheck		-
Hold-open		○
Weight in kg		2.5
Dimensions in mm	Length	340
	Overall depth	37
	Height	49
Door closer compliant with EN 1154		●
CE mark for construction products		●

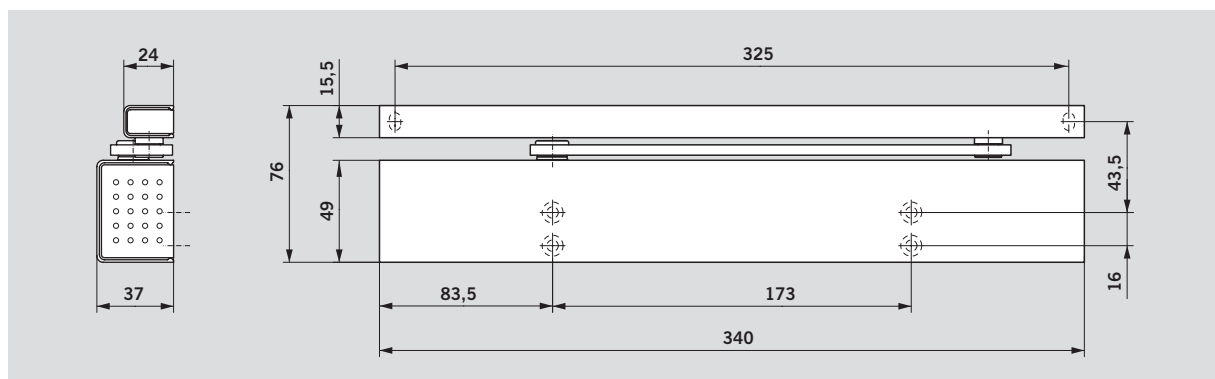
● yes – no ○ option

¹⁾ In the case of particularly heavy doors and doors that have to close against wind pressure, we recommend the DORMA TS 93

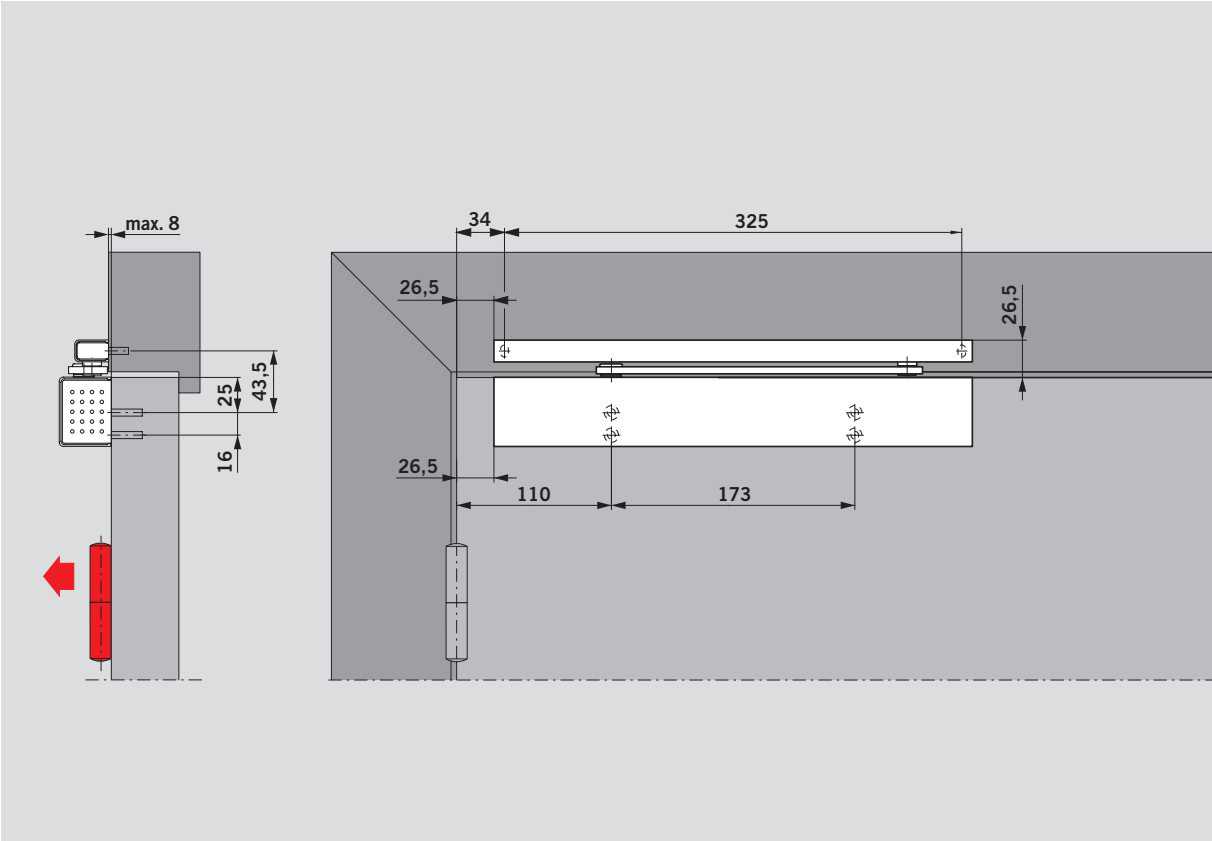
The heart-shaped cam and linear drive mechanism of the DORMA TS 97 ensure that the resistance encountered decreases almost instantly with the door opening action – so even children, the elderly and people with disabilities have no problem in passing through.

User-friendly and reliable closing is also ensured by the delayed increase in the actuating torque at the 'latching' end of the sweep.

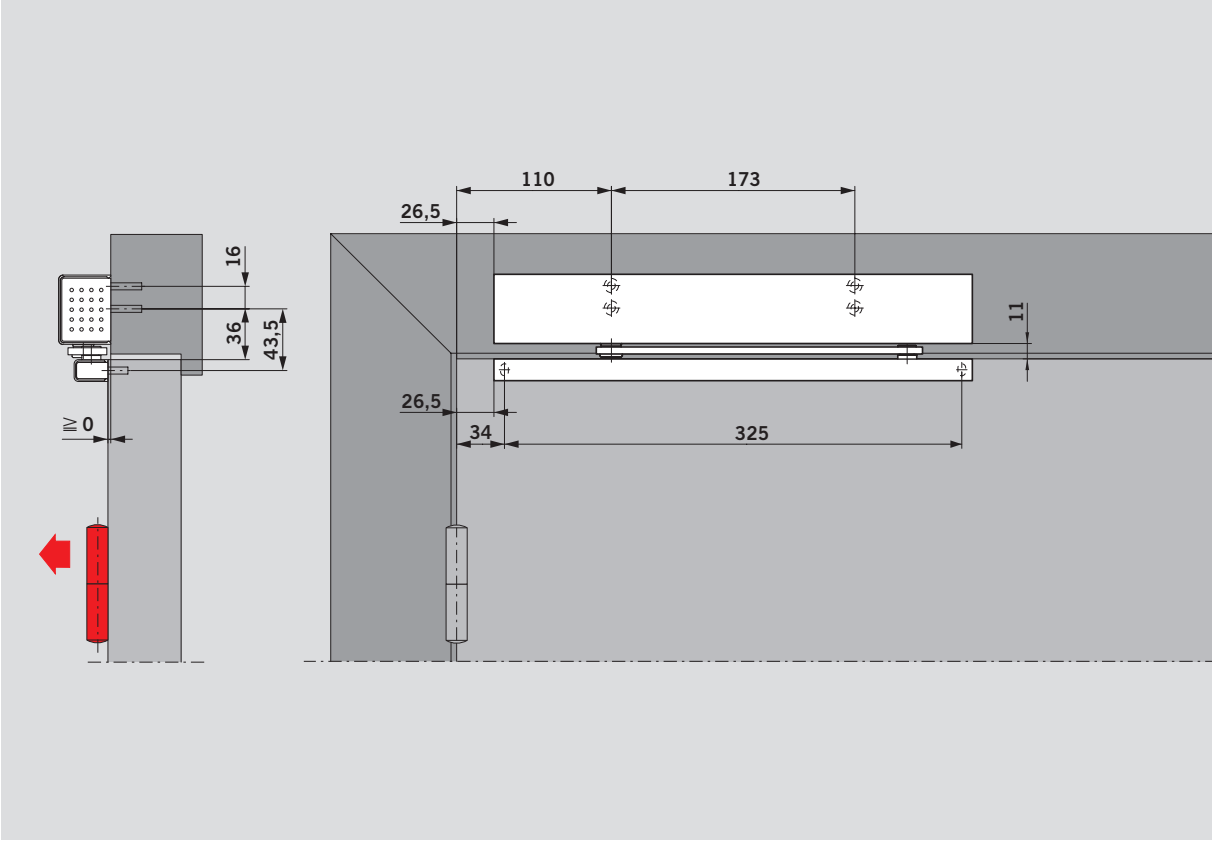
— Opening force
— Closing force







Door leaf fixing, pull-side (example: LH/ISO 6 door; mirror image for RH/ISO 5 door)



Transom fixing, pull side (example: LH/ISO 6 door; mirror image for RH/ISO 5 door)



Standard equipment and accessories		
	TS 97 cam-action door closer  Size EN 2 – 4	Mechanical hold-open device  13000100
Slide channel 	 130100xx	#

Order No.

■□ =ser body with arm,
complete

=Accessory

Colour

Silver anodised

White (sim. to RAL 9016) 11

Special colour

xx

01

11

09

Also available in "Design"
finishes:

Stainless steel "Design" 04

Polished brass "Design" 05

"Design" finishes are mock
metallic surface coatings

Specification text

Cam-action door closer in
Contur Design with rapidly
decreasing opening torque.
Compliant to EN 1154 and
CE mark.

Uniform lengths of door
closer body and slide
channel. Closing force
EN 2 – 4, closing speed and
latching action adjustable.
Non-handed. With standard
slide channel and dead stop
unit.

Accessories

Mechanical hold-open
device

Colour

Silver anodised
 White (sim. to RAL 9016)
 Stainless steel "Design"
 Polished brass "Design"
 Special colour _____
(sim. to RAL ____)

Make

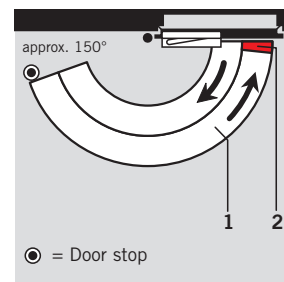
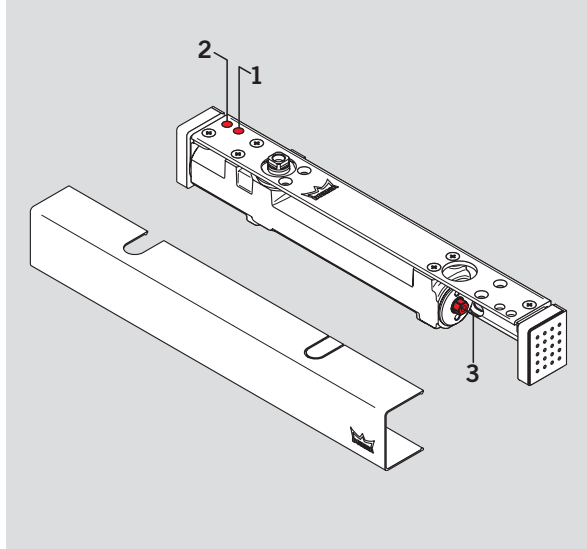
DORMA TS 97

Standard and optional functions

The functions of the DORMA TS 97 can be individually adjusted to each door situation and matched to varying requirements.

The closer speed of the DORMA TS 97 can be infinitely adjusted by means of a valve, and there is a second valve for adjusting the latching action.

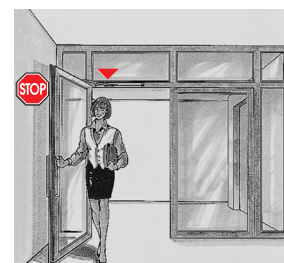
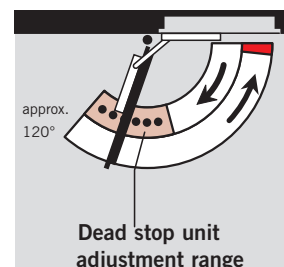
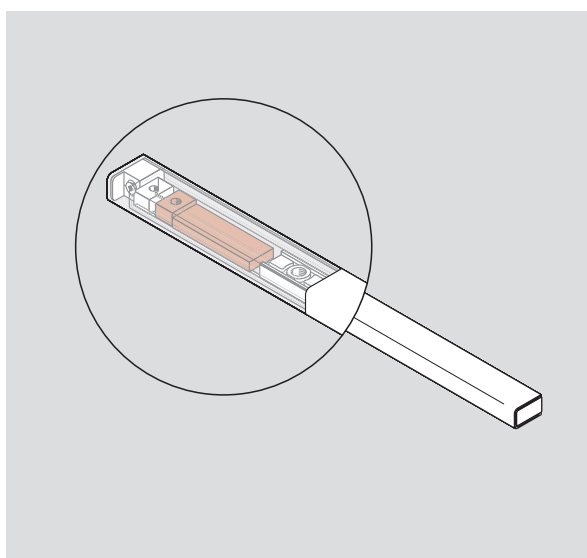
The closing force is adjustable between EN 2 and 4 by means of a screw.



- 1 Infinitely adjustable closing speed in the range 150° – 0°.
- 2 Infinitely adjustable latching action in the range 7° – 0°.
- 3 Adjustable closing force.

The integral **dead stop unit** of the DORMA TS 97 features progressive damping and helps to prevent a normally opened door from colliding with the adjacent wall. It can be adjusted to an opening angle between 80° and max. 120°.

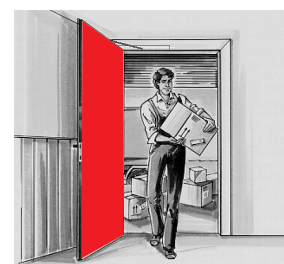
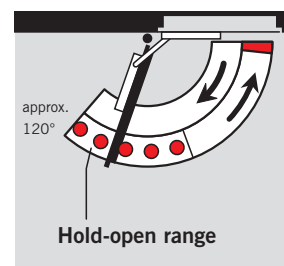
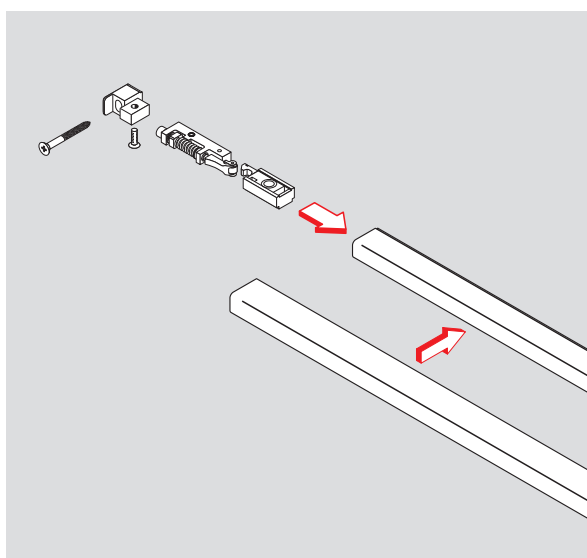
The dead stop unit is not an overload protection device and in many cases is no substitute for a door stop.

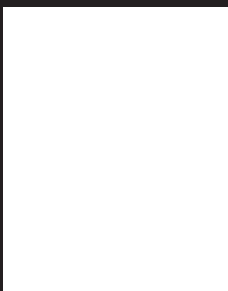


The **mechanical hold-open device** enables doors to be held without fallback at an opening angle up to approx. 120°.

The hold-open device is suitable for both LH and RH doors and is designed for retrofitting into the slide channel.

Not suitable for fire and smoke check doors





www.dorma.com

Door Control Division worldwide

Central Europe

DORMA GmbH + Co. KG
Breckerfelder Str. 42-48
D-58256 Ennepetal
Tel. +49 2333 793-0
Fax +49 2333 793-495

Australasia

DORMA Door Controls Pty. Ltd.
46-52, Abbott Road
Hallam/Victoria 3803
Australia
Tel. +61 3979 63555
Fax +61 3979 63955

China/Hong Kong

DORMA Door Controls
(Suzhou) Co. Ltd.
No. 9, Hong Feng Road
Suzhou Singapore Industrial Park
Suzhou, 215021
P.R. of China
Tel. +86 512 67612481
Fax +86 512 67614582

DORMA Door Controls Pte. Ltd.
Room 701, Technology Plaza
651 King's Road
North Point
Hong Kong
Tel. +852 25034632
Fax +852 28875370

Emerging Markets

DORMA GmbH + Co. KG
Breckerfelder Str. 42-48
D-58256 Ennepetal
Tel. +49 2333 793-0
Fax +49 2333 793-495

DORMA Door Controls (Pty.) Ltd.

Kings Court
4A Mineral Crescent
ZA-2000 Crown/Gauteng
South Africa
Tel. +27 11 8300280
Fax +27 11 8300291

Far East

DORMA Far East Pte. Ltd.
No. 31 Gul Lane
Singapore 629425
Tel. +65 6268 7633
Fax +65 6265 7995

France

DORMA France S.A.S.
Europarc
42, rue Eugène Dupuis
F-94046 Créteil
Tel. +33 1 41942400
Fax +33 1 41942401

Gulf

DORMA Gulf Door Controls FZE
Jebel Ali Free Zone South
Plot No. S 20135
Road No. SW 301 G
P.O. Box 17268
Dubai – United Arab Emirates
Tel. +971 4 8020400
Fax +971 4 8869100/8869101

North America

DORMA Architectural Hardware
DORMA Drive, Drawer AC
Reamstown, PA 17567-0411
Tel. +1 800 5238483
Fax +1 800 2749724

Scanbalt

DORMA Sverige AB
F O Petersons Gata 24
SE-421 31 Västra Frölunda
Tel. +46 31 289520
Fax +46 31 281739

South America

DORMA Sistemas de Controles
para Portas Ltda.
Av. Piracema, 1400
Centro Empresarial Tambore
CEP 06400-933 Barueri/
São Paulo, Brasil
Tel. +55 11 46899280
Fax +55 11 46899215

South-East Europe

DORMA AUSTRIA GmbH
Pebering Strass 22
A-5301 Eugendorf
Tel. +43 6225 284880
Fax +43 6225 28491

South Europe

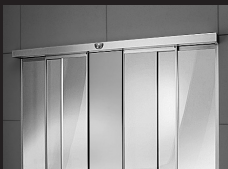
DORMA Italiana S.r.l.
Via. Canova 44/46
I-20035 Lissone (MI)
Tel. +39 039 244031
Fax +39 039 24403310
DORMA Ibérica, S.A.
Camino San Martin de la Vega, 4
E-28500 Arganda del Rey
(Madrid)
Tel. +34 91 8757850
Fax +34 91 8757881

UK/Ireland

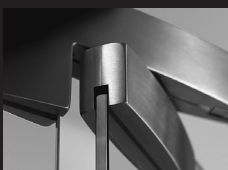
DORMA UK Ltd.
Wilbury Way
Hitchin
GB-Hertfordshire SG4 0AB
Great Britain
Tel. +44 1462 477600
Fax +44 1462 477601



Door Control



Automatic



Glass Fittings
and Accessories



Security/Time
and Access (STA)



Movable Walls



4 021226 129091 0